



Cement Mixer

Digga Cement Mixer can mix anything from cement to fertilizer, it fits quickly and easily to your Digga Planetary Auger Drive (Auger Drive sold separately)

Features:

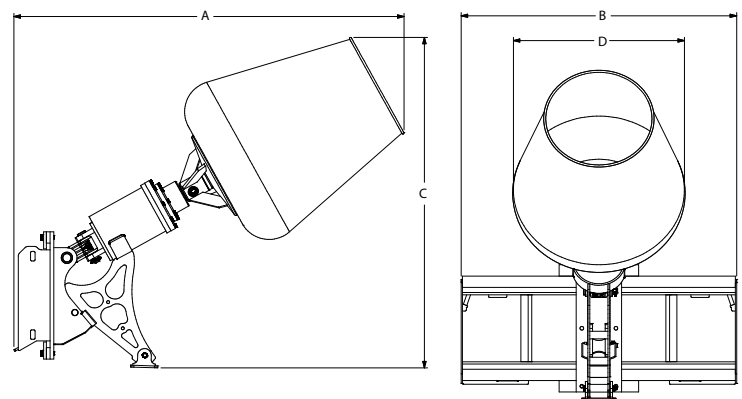
- Easy Connection. Simply pin cradle to existing auger frame and add mixer bowl. Change from drilling to mixing in under 2 minutes.
- Cement mixing attachment to suits Digga auger drives and frames only. Also available for mini machines.
- Maintenance free.
- Manufactured from quality materials.

Ideal Use:

Mixing cement, mulch, animal feed, fertilizer.

Machine Suitability:

Skid Steer Loaders, Front End Loaders and Tele-Handlers.



Specifications	Small	Large
Total Capacity ^	3.9 Cu ft / 110 L	5.7 Cu ft / 160 L
Operating Capacity *	2.5 Cu ft / 70 L	4 Cu ft / 115 L
Length (A)	1300 mm	1424 mm
Width (B)	1212 mm	1212 mm
Height (C)	1469 mm	1571 mm
Width (D) Bowl Only	580 mm	740 mm
Weight Complete with PD3 & Frame	158 kg	173 kg
Weight (Bowl & Cradle Only)	38 kg	53 kg

(*) Maximum operating capacity is measured at an operating angle of 45 degrees.

(^) An upright position depicts total capacity.